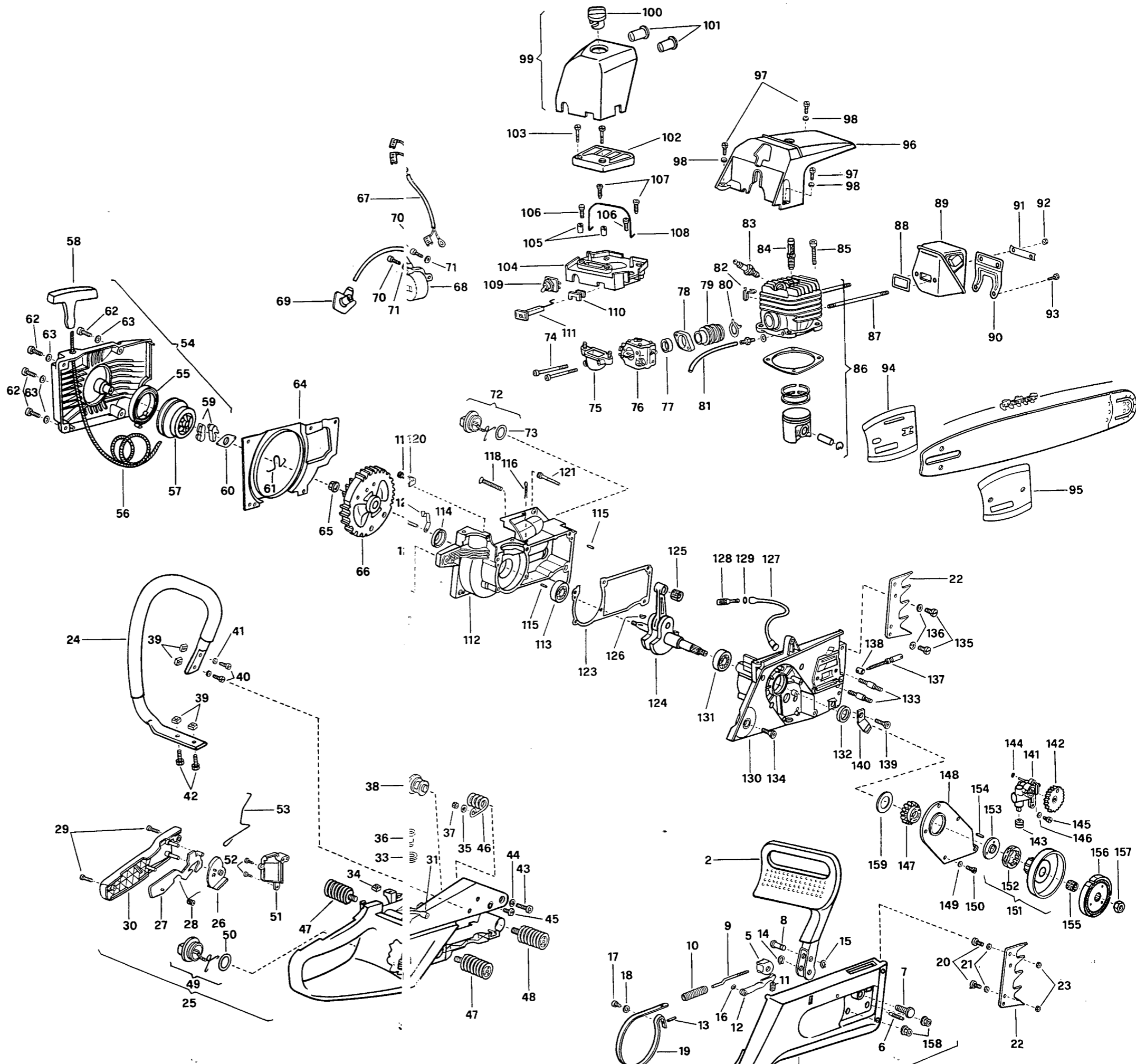
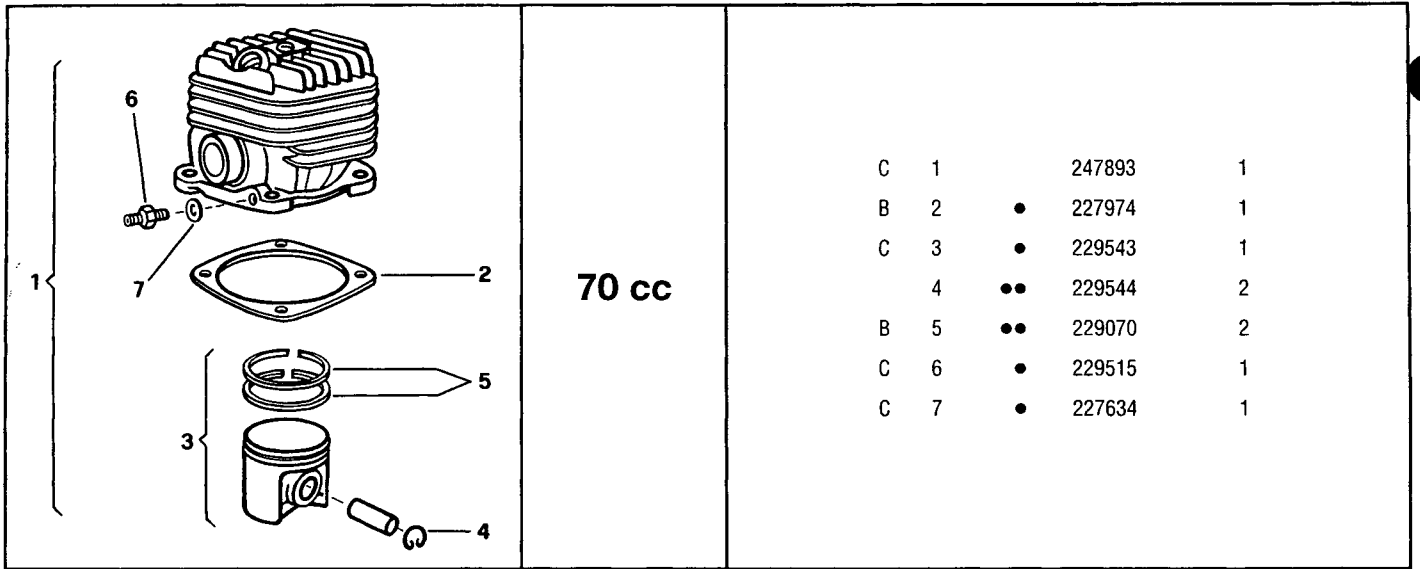


C	1	240056	1	C	81	229718	1
	2	● 227941	1		82	218865	1
	3	● 241196	1	A	83	92878	1
	4	● 227943	1		84	94273	1
	5	● 227349	1		85	235214 M6x20	4
	6	● 227350	1	C	86	FIGURE 2	
	7	● 227351	1		87	227057	2
	8	● 227352	1	C	88	229502	1
	9	● 227353	1	C	89	241257	1
	10	● 240929	1		90	229501	1
	11	● 240690	1		91	227275	1
	12	● 227521	1		92	235216	2
	13	● 227523	1		93	229563 M5x10	2
	14	● 227524	1	C	94	227979	1
	15	● 235367	1	C	95	227980	1
	16	● 235811	1		96	240051	1
	17	● 229791	1		97	225706 M5x16	3
	18	● 235612	1		98	235248	3
C	19	● 227942	1		99	240052	1
	20	227144 M5x12	2		100	● 241089	1
	21	227626	2		101	● 229525	2
C	22	241169	2	B	102	227561	1
	23	229208	2		103	227458 M5x21	2
	24	227992	1		104	240053	1
C	25	240059	1		105	227971	2
C	26	● 227441	1		106	227563 M5x16	2
C	27	● 227442	1		107	235205	2
	28	● 227443	1		108	241090	1
	29	● 227619 M4x16	2	C	109	237575	1
	30	● 227968	1		110	229380	1
B	31	● 227406	1	C	111	229377	1
A	32	● 241205	1		112	247894	1
C	33	● 236321	1		113	● 229449	1
	34	229524	2	C	114	● 229452	1
	35	227259	1		115	● 235221	2
C	36	227582	1		116	● 236728	1
	37	229208	1		117	241146 M6x20	1
C	38	229981	1		118	241145 M6x45	1
	39	229524	4		119	228956 M4x10	1
	40	235802 M5x14	2		120	229560	1
	41	235248	2		121	235530 M5x35	6
	42	229561 M5x16	2		122	229559	2
	43	236933 M6x18	1	C	123	227975	1
	44	236936	1		124	240060	1
	45	241147 M5x16	1	C	125	● 229453	1
C	46	241148	1	C	126	227631	1
C	47	241207	2	C	127	227461	1
C	48	241208	1	C	128	227464	1
B	49	227508	1	C	129	● 227527	1
C	50	● 227420	1		130	247895	1
	51	227969	1		131	● 229450	1
	52	227983	2	C	132	● 229451	1
C	53	227994	1	C	133	● 227370	2
C	54	240058	1		134	241146 M6x20	1
C	55	● 300476-01	1		135	235239 M5x20	2
A	56	● 229608	1		136	227626	2
C	57	● 240638	1		137	227997	1
	58	● 240884	1	A	138	227366	1
B	59	● 241083	2		139	241146 M6x20	1
C	60	● 241157	1		140	227990	1
B	61	● 241156	1	C	141	227530	1
	62	225706 M5x16	4	C	142	● 227385	1
	63	235248	4	C	143	227383	1
	64	227958	1	C	144	235432	1
	65	227762	1		145	229861 M4x14	2
	66	227976	1		146	227630	2
C	67	241214	1	C	147	227387	1
C	68	240062	1		148	227970	1
C	69	● 227005	1		149	227627	5
	70	235806 M5x20	2		150	227611 M4x12	5
	71	235248	2	C	151	240054	1
B	72	227507	1	B	152	● 227547	1
C	73	● 227459	1		153	● 227389	1
	74	229399 M5x70	2		154	● 227548	1
	75	227965	1	C	155	227329	1
C	76	FIGURE 3		C	156	240055	1
	77	229397	1		157	241247	1
	78	229396	1	A	158	227762	2
C	79	229017	1		159	227388	1
	80	229395	1				

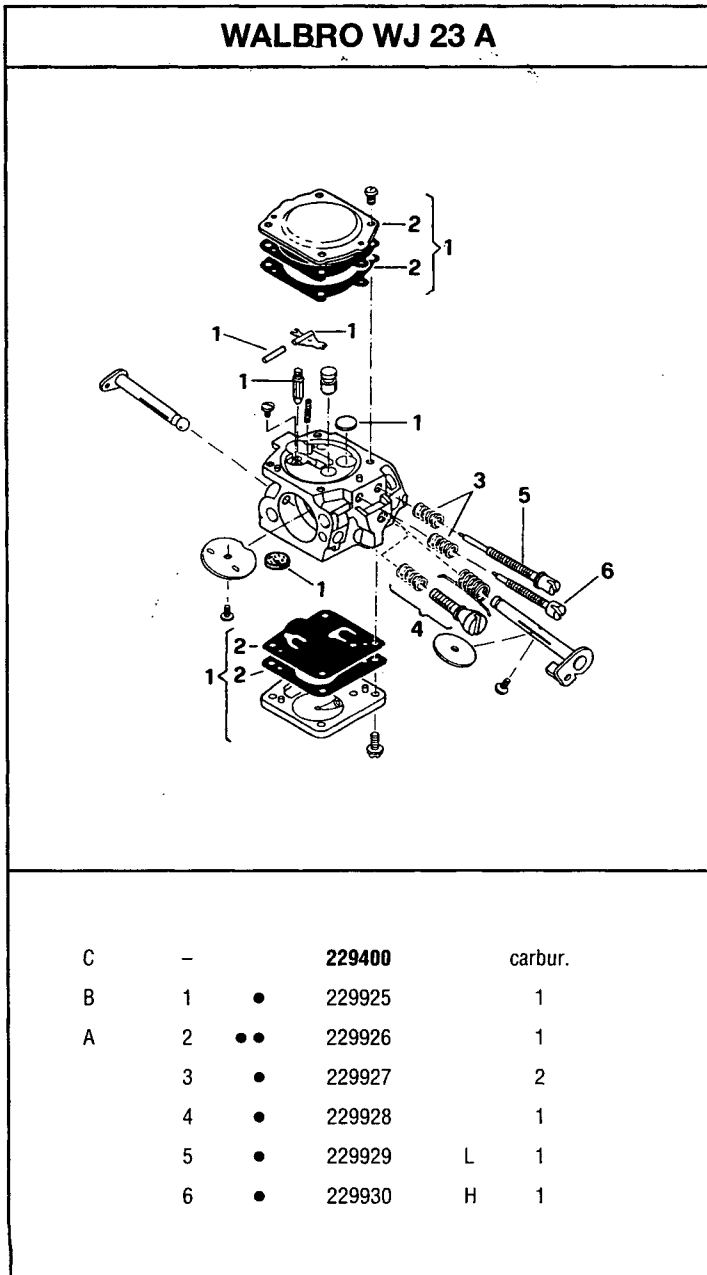


**FIGURE 1**



C	1		247893	1
B	2	•	227974	1
C	3	•	229543	1
	4	••	229544	2
B	5	••	229070	2
C	6	•	229515	1
C	7	•	227634	1

**FIGURE 2**



C	-		<b>229400</b>	carbur.
B	1	•	229925	1
A	2	••	229926	1
	3	•	229927	2
	4	•	229928	1
	5	•	229929	L 1
	6	•	229930	H 1

**FIGURE 3**

A = high moving - alta rotazione - haute demande - große Nachfrage  
 B = medium moving - media rotazione - moyenne demande - mittelmäßige Nachfrage  
 C = slow moving - bassa rotazione - basse demande - wenige Nachfrage